

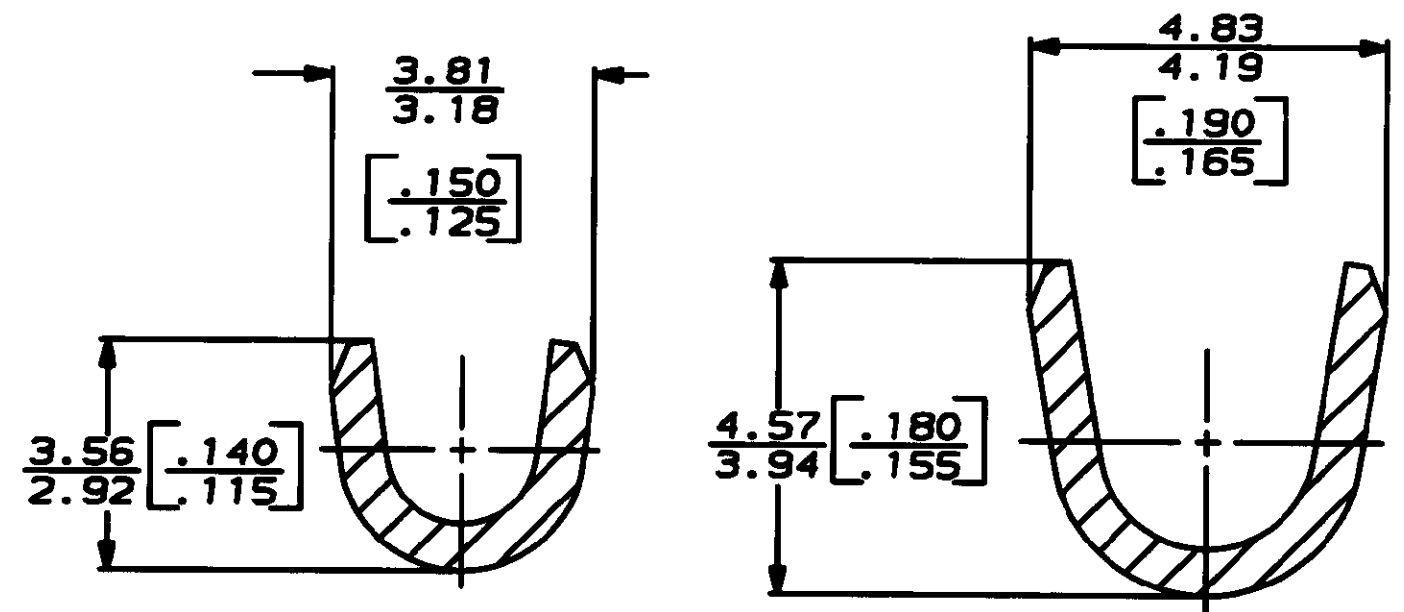
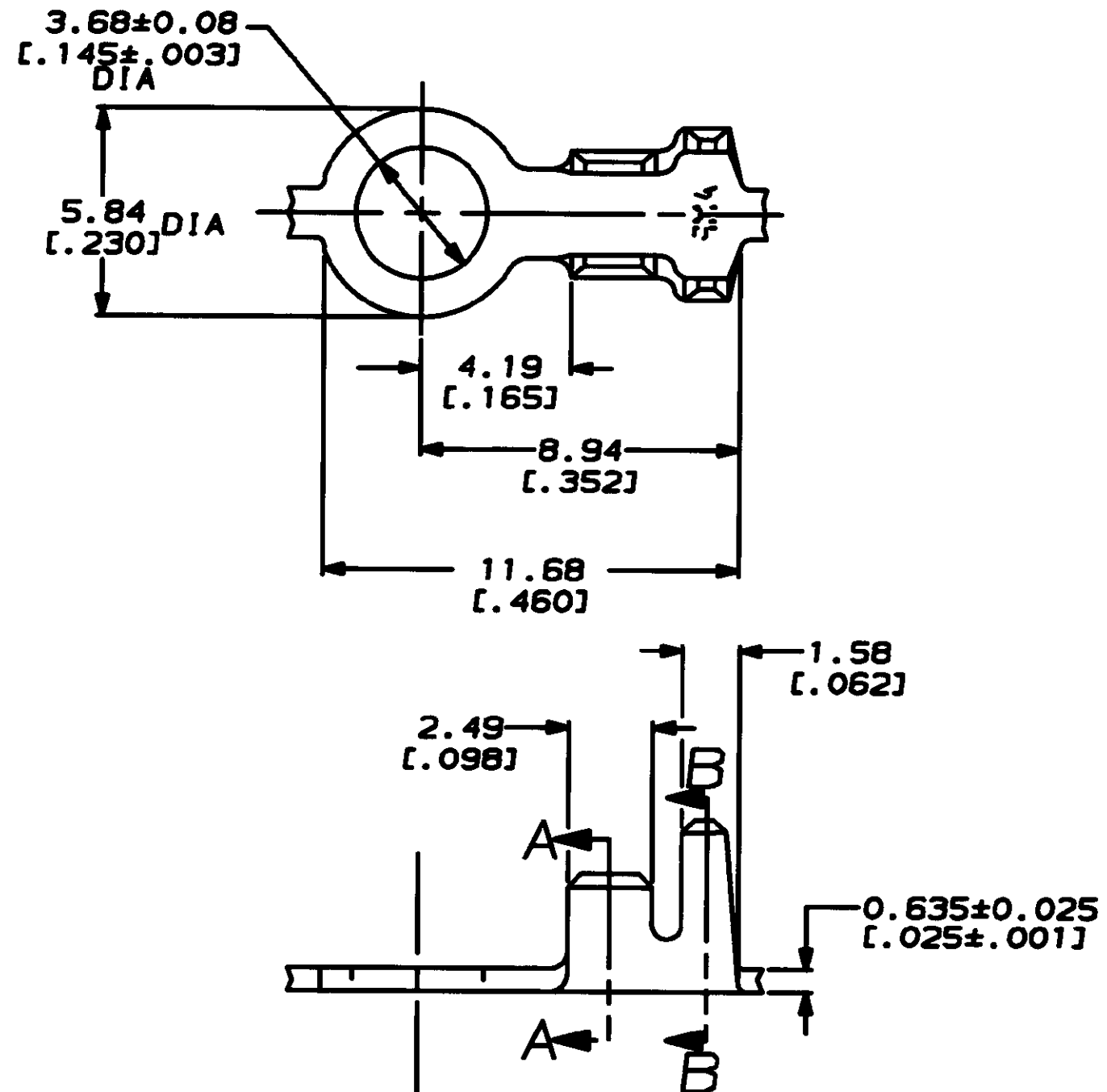
DRAWING MADE IN THIRD ANGLE PROJECTION

THIS DRAWING IS UNPUBLISHED. RELEASED FOR PUBLICATION ,19 .

© COPYRIGHT 19 BY AMP INCORPORATED. ALL INTERNATIONAL RIGHTS RESERVED.

LOC	DIST	P	F	ZONE	LTR	DESCRIPTION	DATE	APPD
AF	50				B	REDRAWN PER 0054-94	2/10/94	PF/JR

1 CONTINUOUS STRIP ON REELS



2.29-3.05 [.090-.120] DIA		20-16 AWG	61764-1
INSULATION RANGE		WIRE SIZE	PART NO
DO NOT SCALE PRINT. UNLESS SPECIFIED DIMENSIONS IN IN (INCHES) TOLERANCES ON: 2 PLC DEC ± 0.25 LOUW 3 PLC DEC ± - ANGLES ± -		<b>AMP</b> AMP INCORPORATED Harrisburg, Pa. 17108	
DR 2/16/94 FULL P & FERRY CHK 2/16/94 SET UP APPD 2/16/94 SHY WTR APPD 2/16/94 SHY WTR PRODUCT SPEC -		NAME <h1>RING</h1>	
MATERIAL <h2>082 BRASS</h2>		SIZE <h3>B</h3>	CASE CODE <h3>00779</h3>
FINISH -		APPLICATION SPEC -	DRAWING NO <h2>61764</h2>
WEIGHT -		SCALE <h3>6:1</h3>	SHEET 1 OF 1